

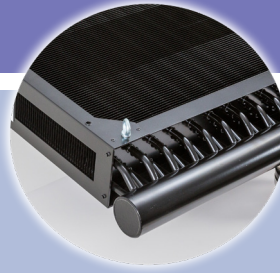
Product Datasheet

Patent Pen

NEW! Zero Power Cooling System for Emergency Tank Showers

Optional Fittings

A new addition to the Hughes range of tank cooling options is the Zero Power Cooling System, designed and developed in collaboration with Celantel. The system works in two phases: It reduces the impact of high ambient temperatures in the daytime and cools the water in the tank during the night, ensuring the delivery of safe and tepid water without the need for power and with zero running costs.



Specifications

MATERIALS OF CONSTRUCTION

EXTERNAL EXCHANGER	Piping: Copper / Fins: Aluminium / Painting: Cataphoretic coating
INTERNAL EXCHANGER	Piping: Stainless Steel / Flanges: Stainless Steel
COOLANT MEDIUM	H ₂ O

ENVIRONMENTAL OPERATING TEMPERATURE

WATER TEMPERATURE	Night-time average air temperature + 2° C
MAXIMUM WATER INLET TEMPERATURE	See commissioning time table below

ADDITIONAL INFORMATION

POWER RATING	No power required
LOCATIONS SUITABLE FOR USE	Suitable for use in areas classified as hazardous and non-hazardous

WEIGHTS and DIMENSIONS

DIMENSIONS (WxDxH) - cooling unit (Internal and external)	1188mm (46.7in) x 1188mm (46.7in) x 1765mm (69.5in)
DIMENSIONS (WxDxH) - installed on 1500L tank shower	1420mm (55.9in) x 1495mm (58.9in) x 4274mm (168.2in)

Inlet Water Temperature	Commissioning Time - Days							
	22°C	24°C	26°C	28°C	30°C	32°C	34°C	
60°C	3	3	3	4	4	5	6	
55°C	2	2	3	3	4	4	5	
50°C	2	2	2	3	3	3	4	
45°C	1	1	1	2	2	2	3	
40°C	1	1	1	1	1	1	1	
Night Air Temperature	22°C	24°C	26°C	28°C	30°C	32°C	34°C	

Designed in collaboration with



View our Guide to the ANSI/ISEA Z358.1-2014 International Standard for Emergency Eyewash and Shower Equipment at www.hughes-safety.com



HUGHES



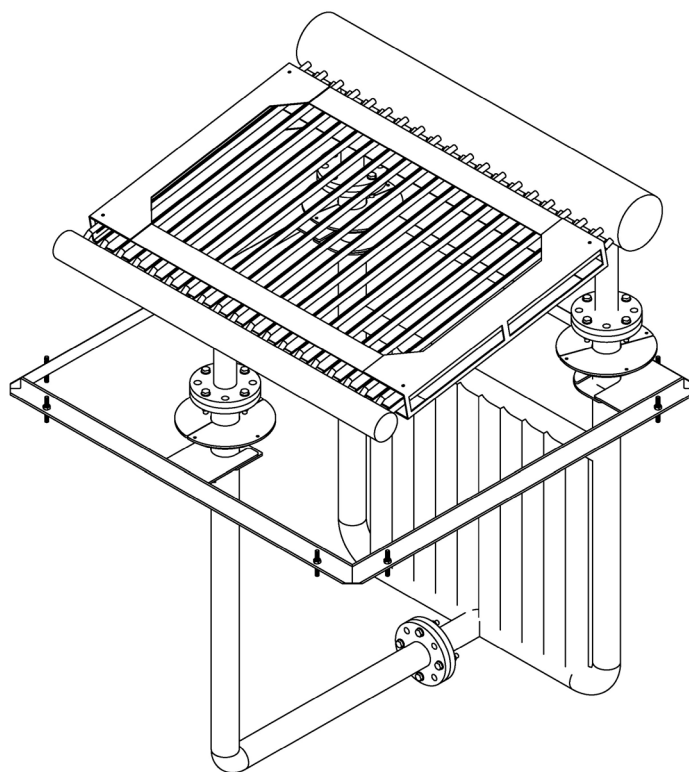
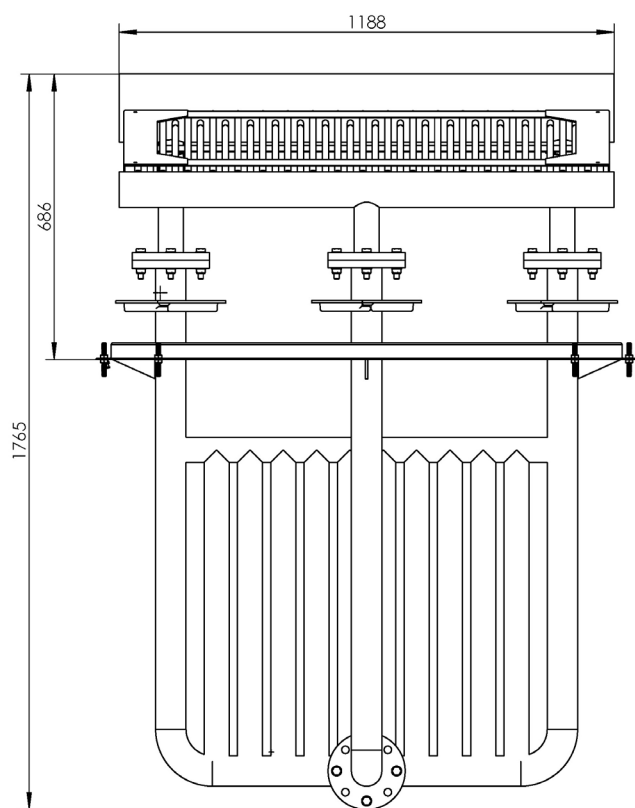
HUGHES-SAFETY.COM

Justrite Safety Group

www.hughes-safety.com

ZERO POWER COOLING SYSTEM

Optional Fittings



Patent Pending

Designed in collaboration with



HUGHES



HUGHES-SAFETY.COM

Justrite Safety Group

Hughes Safety Showers Ltd, Whitefield Road, Bredbury, Stockport SK6 2SS UK.

Email: sales@hughes-safety.com

Tel: +44 (0)161 430 6618

Registered No. 0939240. VAT Registration No. 918 5005 32. Hughes Safety Showers Ltd is a Justrite Group Company.

V1.2