

# Product Datasheet

## STD-MH-P-1200L

### Mobile Self-Contained Emergency Safety Shower

Designed in accordance with ANSI and European standards, this 1200 litre capacity mobile emergency safety shower provides a continuous flow of water for over 15 minutes. The tank can be quickly filled with potable water by hose and then transported quickly and easily behind a suitable vehicle using the towing hitch provided. An integral immersion heater, controlled by a dual safety thermostat, maintains the water in the tank at a tepid temperature. The unit is available with optional insulated tank jacket.



## Specifications

### KEY FEATURES

PIPEWORK & FITTINGS	316L stainless steel
TANK	Polyethylene
PUMP	Submersible electric
SHOWER SPRAY OUTLET	Machine moulded nylon 6
CHASSIS	Heavy duty galvanised mild steel
AXLE/SUSPENSION	Avonride rubber torsion beam axle fitted with 200 x 50 auto reverse brakes
COUPLING	Avonride auto reverse coupling fitted with 40mm eye, break away cable and parking brake lever
ANCILLARY EQUIPMENT	Moulded mudguards, front telescopic jockey wheel, lighting board. Rear propstand options

### SERVICES

WATER INLET	18" hinged manlid cover
DESIGN OPERATING PRESSURE	2.0 to 6 BAR G (29 to 87 PSI) (higher supply pressures accommodated with the incorporation of the optional pressure reducing valve)
TEST PRESSURE	10.3 BAR G (149 PSI)
MINIMUM FLOW RATES	Shower: 76 litres/minute minimum (20 US Gallons), Eye/face wash: 12 litres/minute minimum (3 US Gallons)
MAINTAINANCE OF HEATED WATER	Up to 12 hours

### ENVIRONMENTAL OPERATING TEMPERATURE

MINIMUM AMBIENT OPERATING TEMPERATURE	0° C (32° F)
MAXIMUM AMBIENT OPERATING TEMPERATURE	35° C (95° F)

### ACTIVATION/OPERATION

SHOWER/BODY SPRAY OPERATION	Hand lever
EYE/FACE WASH OPERATION	Pull lid forward

### WEIGHTS and DIMENSIONS

DIMENSIONS (WxDxH)	Non-assembled: 1530mm (60.2in) x 3120mm (122.8in) x 1443mm (56.8in) Assembled: 1530mm (60.2in) x 3556mm (140in) x 2770mm (109.1in)
WEIGHT	Full: 1460kg (3219lb), Empty: 260kg (573lbs)

View our Guide to the ANSI/ISEA Z358.1-2014 International Standard for Emergency Eyewash and Shower Equipment at [www.hughes-safety.com](http://www.hughes-safety.com)



# HUGHES



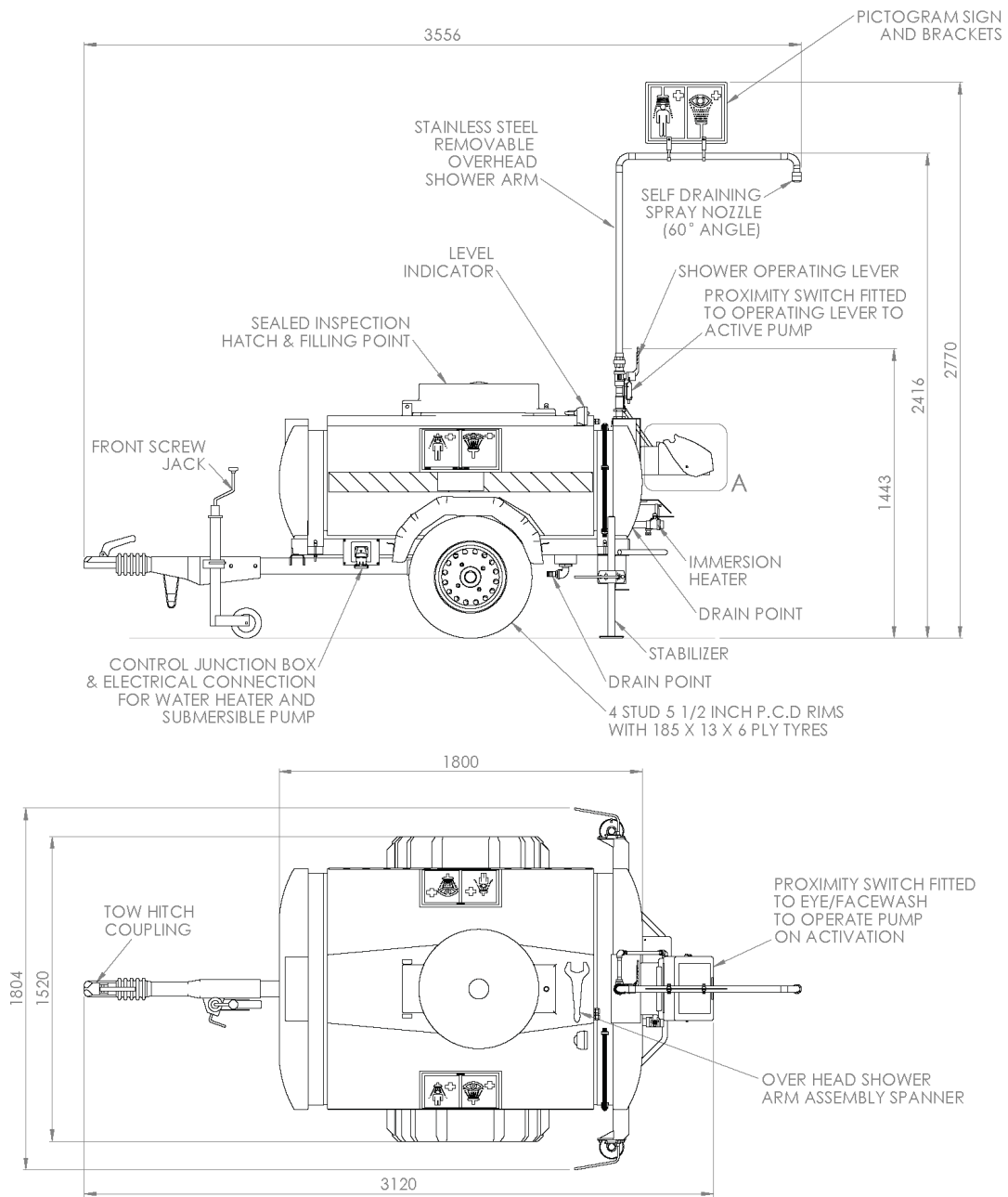
HUGHES-SAFETY.COM

Justrite Safety Group

[www.hughes-safety.com](http://www.hughes-safety.com)

**STD-MH-P-1200L**

*Mobile Self-Contained Emergency Safety Shower*



**HUGHES**



**HUGHES-SAFETY.COM**

Justrite Safety Group

Hughes Safety Showers Ltd, Whitefield Road, Bredbury, Stockport SK6 2SS UK.

Email: [sales@hughes-safety.com](mailto:sales@hughes-safety.com)

Tel: +44 (0)161 430 6618

Registered No. 0939240. VAT Registration No. 918 5005 32. Hughes Safety Showers Ltd is a Justrite Group Company.

V1.2