

Product Datasheet

STD-MH-5K/11K STD-MH-5KS/11KS Outdoor Emergency Safety Shower



Designed in accordance with ANSI and EU standards, this free-standing outdoor emergency safety shower is immersion heated and pre-insulated. The unit features an eye/facewash fountain with integral lid and an additional eyebath diffuser on a flexible hose to treat unconscious or disabled personnel.

Available with galvanised mild steel or 316L stainless steel pipework.

Specifications

MATERIALS OF CONSTRUCTION

PIPEWORK AND FITTINGS (G)	Galvanised mild steel with 150lb medium wall tubulars and fittings
PIPEWORK AND FITTINGS (GS)	316L stainless steel with 150lb medium wall tubulars and fittings
OPERATING VALVES	316L stainless steel, two piece stay open valve
SHOWER SPRAY OUTLET	Machine moulded nylon 6 red shower nozzle
STANDARD FINISH	White with green/white safety striped (alternative colours available)
INSULATION & OUTER CASING	Polyurethane foam insulation with a medium density polyurethane impact resistant outer casing

SERVICES

WATER INLET	1 ¹ / ₄ " Male BSP
DESIGN OPERATING PRESSURE	2.2 to 6 BAR G (31 to 87 PSI) (higher supply pressures accommodated with the incorporation of the optional pressure reducing valve)
HEATING TYPE	Immersion Heated
HEATING LOAD	95 Watts
ELECTRICAL EQUIPMENT - Non Hazardous	Suitable for use in areas classified as non-hazardous
ELECTRICAL EQUIPMENT - Hazardous	1ATEX Zone 1 & 2 Gas Groups IIA and IIB, Temp Class T3 (IIC available)
MINIMUM FLOW AT OPERATING PRESSURE	Shower: 76 litres/minute minimum (20 US Gallons), Facewash: 20 litres/minute minimum (5 US Gallons), Handheld eyebath: 8 litres/minute minimum (2 US Gallons)

ENVIRONMENTAL OPERATING TEMPERATURE

MINIMUM AMBIENT OPERATING TEMPERATURE	-35° C (31° F)
MAXIMUM AMBIENT OPERATING TEMPERATURE	35° C (95° F)

OPERATIONAL

SHOWER SPRAY OPERATION	Pull handle (foot panel control for hands-free - optional)
EYEBATH/FACEWASH OPERATION	Lift lid (treadle foot control for hands-free - optional)

WEIGHTS and DIMENSIONS

DIMENSIONS - STANDARD ORIENTATION (WxDxH)	480mm (18.8in) x 855mm (33.6in) x 2705mm (106.5in)
WEIGHT (NO OPTIONS)	40kg (88lb)

View our Guide to the ANSI/ISEA Z358.1-2014 International Standard for Emergency Eyewash and Shower Equipment at www.hughes-safety.com



HUGHES



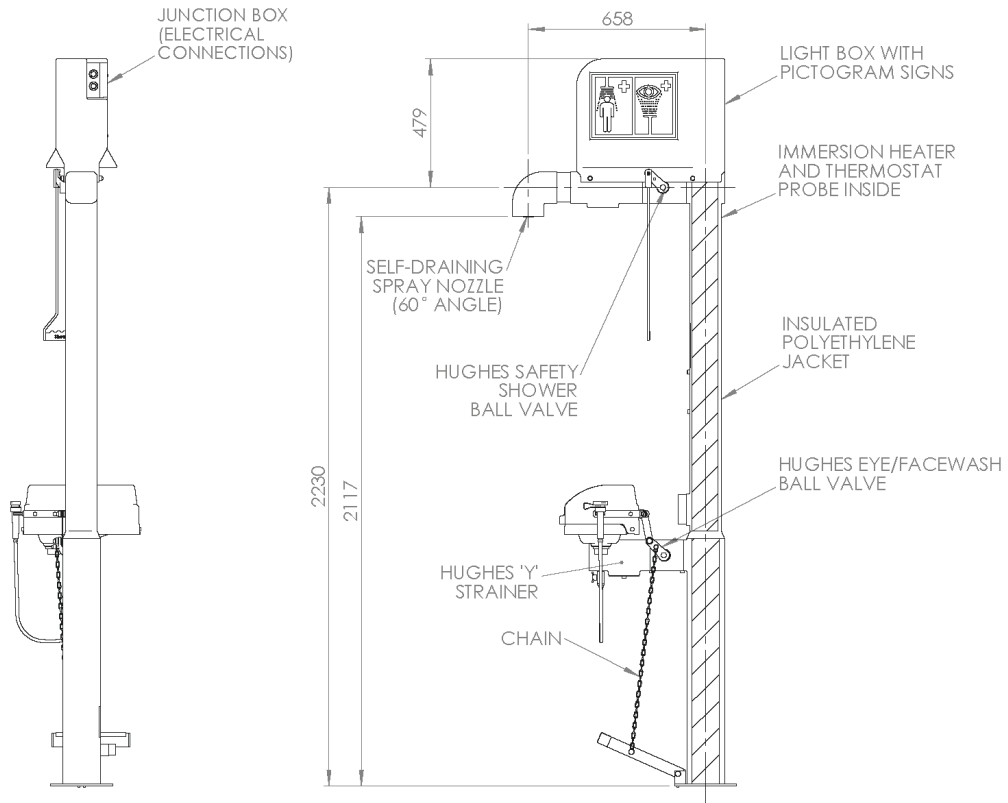
HUGHES-SAFETY.COM

Justrite Safety Group

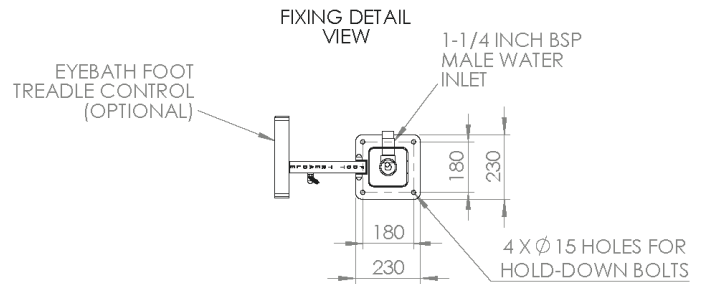
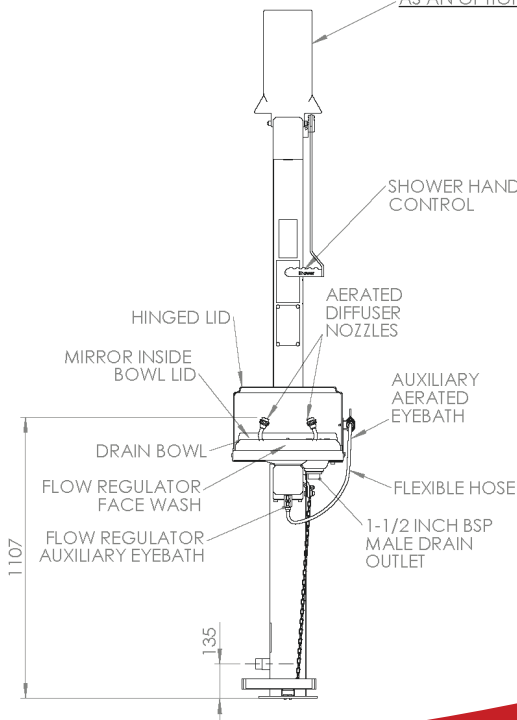
www.hughes-safety.com

STD-MH-5K/11K
STD-MH-5KS/11KS

Outdoor Emergency Safety Shower



LIGHT INSIDE LIGHT BOX (NON FLAMEPROOF OR ZONE 1 & 2) CAN BE SUPPLIED IF REQUESTED AS AN OPTIONAL EXTRA



HUGHES



HUGHES-SAFETY.COM

Justrite Safety Group

Hughes Safety Showers Ltd, Whitefield Road, Bredbury, Stockport SK6 2SS UK.

Email: sales@hughes-safety.com

Tel: +44 (0)161 430 6618

Registered No. 0939240. VAT Registration No. 918 5005 32. Hughes Safety Showers Ltd is a Justrite Group Company.