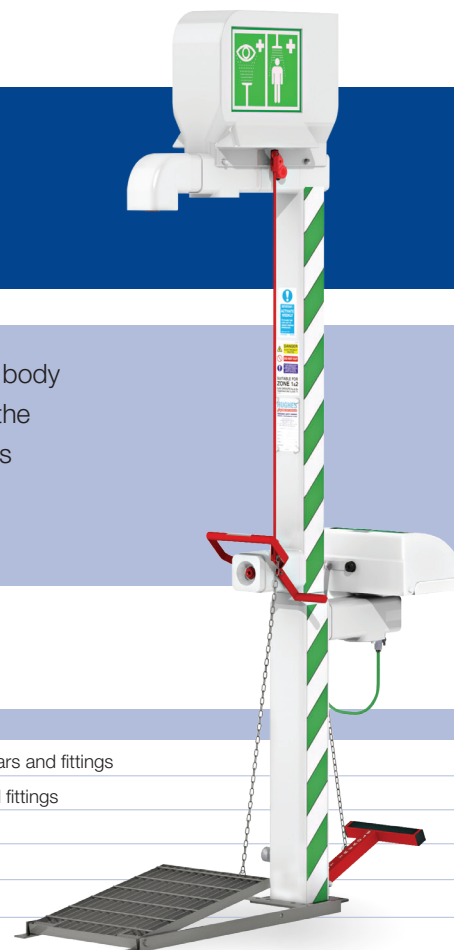


# Product Datasheet

## STD-MH-15K/11K STD-MH-15KS/11KS Outdoor Emergency Safety Shower

This immersion heated and pre-insulated outdoor emergency safety shower with body spray and eye/face wash unit is intended for use where there is the possibility of the water inside the shower freezing due to cold climates. The eye/face wash features an additional eyebath diffuser on a flexible hose to treat unconscious or disabled personnel. Available with galvanised mild steel or 316L stainless steel pipework.



### Specifications

#### MATERIALS OF CONSTRUCTION

PIPEWORK AND FITTINGS (G)	Galvanised mild steel with 150lb medium wall tubulars and fittings
PIPEWORK AND FITTINGS (GS)	Stainless steel with 150lb medium wall tubulars and fittings
OPERATING VALVES	Stainless steel, two piece stay open valve
SHOWER SPRAY OUTLET	Machine moulded nylon 6
EYE/FACE WASH FILTER STRAINER	316L stainless steel
STANDARD FINISH (Stainless steel)	White with green/white safety stripes
INSULATION & OUTER CASING	Polyurethane foam insulation with a medium density polyethylene impact resistant outer casing

#### SERVICES

WATER INLET	1 1/2" Male BSP
DESIGN OPERATING PRESSURE	2.2 to 6 BAR G (32 to 87 PSI) (higher supply pressures accommodated with the incorporation of the optional pressure reducing valve)
HEATING LOAD	100 watts
ELECTRICAL EQUIPMENT - Non-Hazardous	Suitable for use in areas classified as non-hazardous
ELECTRICAL EQUIPMENT - Hazardous	ATEX Zone 1 & 2 Gas Groups IIA and IIB, temp class T3 (IIC available)
ELECTRIC SUPPLY	240V single phase, 50/60Hz or 110V available
MINIMUM FLOW AT OPERATING PRESSURE	Shower: 76 litres/minute minimum (20 US Gallons) Eye/face wash: 12 litres/minute minimum (12 US Gallons)

#### ENVIRONMENTAL OPERATING TEMPERATURE

MINIMUM AMBIENT OPERATING TEMPERATURE	-35° C (-31° F)
MAXIMUM AMBIENT OPERATING TEMPERATURE	35° C (95° F)

#### OPERATIONAL

SHOWER SPRAY OPERATION	Panic Bar (optional foot panel for hands free operation)
EYE/FACE WASH	Lift lid to operate (optional treadle foot control for hands free operation)

#### WEIGHTS and DIMENSIONS

DIMENSIONS - STANDARD ORIENTATION (WxDxH)	480mm (18.9in) x 1315mm (51.8in) x 2705mm (106.4in)
WEIGHT (NO OPTIONS)	42kg (92lb)

View our Guide to the ANSI/ISEA Z358.1-2014 International Standard for Emergency Eyewash and Shower Equipment at [www.hughes-safety.com](http://www.hughes-safety.com)

# HUGHES



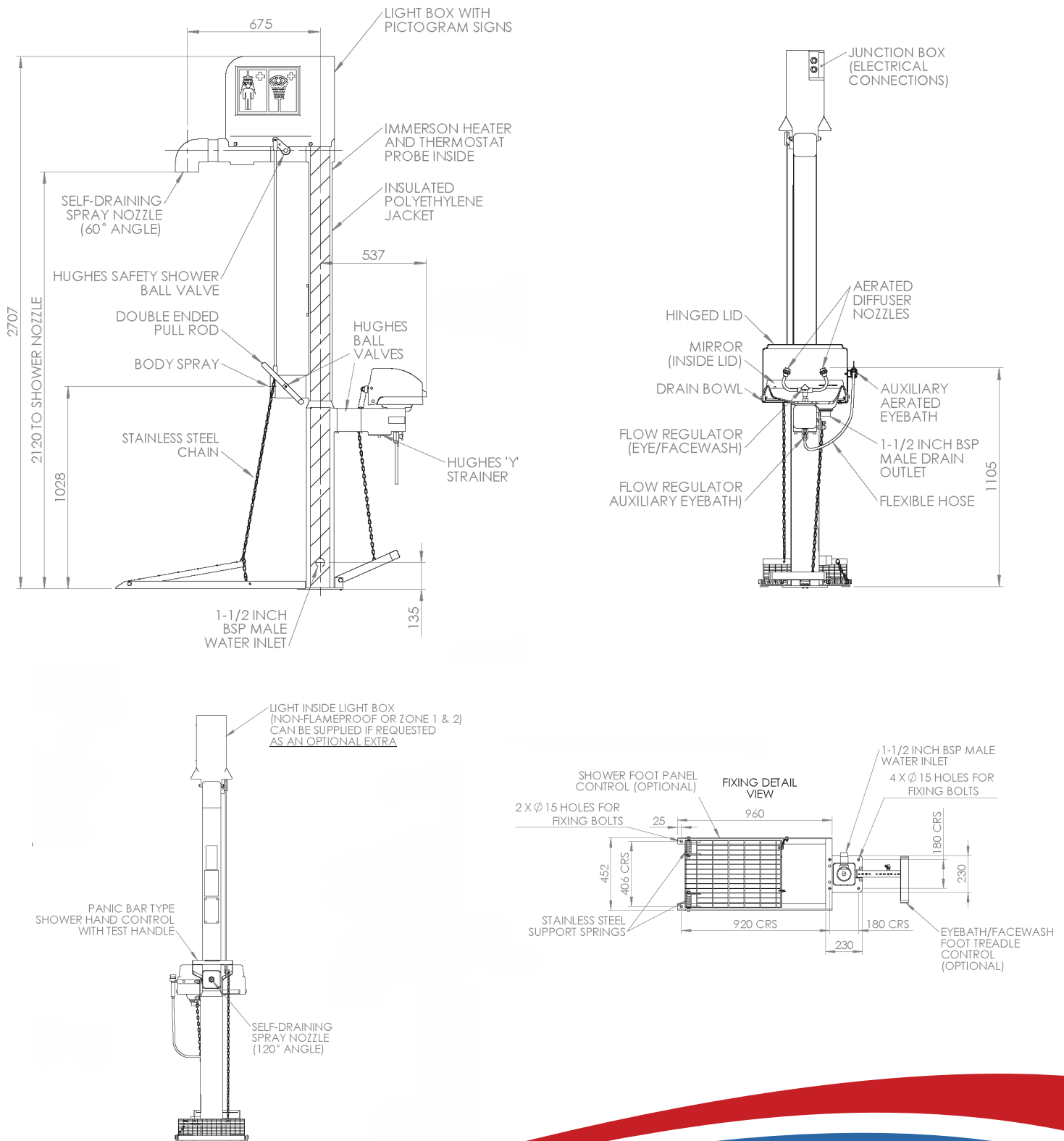
HUGHES-SAFETY.COM

Justrite Safety Group

[www.hughes-safety.com](http://www.hughes-safety.com)

**STD-MH-15K/11K**  
**STD-MH-15KS/11KS**

Outdoor Emergency Safety Shower



**HUGHES**



HUGHES-SAFETY.COM

Justrite Safety Group

Hughes Safety Showers Ltd, Whitefield Road, Bredbury, Stockport SK6 2SS UK.

Email: sales@hughes-safety.com

Tel: +44 (0)161 430 6618

Registered No. 0939240. VAT Registration No. 918 5005 32. Hughes Safety Showers Ltd is a Justrite Group Company.

V1.4