

# Product Datasheet

## STD-J-40K/45G

### Mobile Self-Contained Emergency Safety Shower

114 litre capacity insulated mobile self-contained emergency safety shower with eye/face wash unit. Incorporating a polypropylene lined cylinder, a stainless steel frame and large pneumatic tyres, making it easy to manoeuvre by one person. For long distances or uneven surfaces an optional 'A' frame with towing hitch can be fitted. In addition, the wheel spacing can be altered allowing the unit to fit through standard door openings.



## Specifications

### MATERIALS OF CONSTRUCTION

|                     |                         |
|---------------------|-------------------------|
| PIPEWORK & FITTINGS | 316L stainless steel    |
| OPERATING VALVE     | 316L stainless steel    |
| SHOWER SPRAY OUTLET | Machine moulded nylon 6 |
| STANDARD FINISH     | Polyethylene jacket     |

### SERVICES

|                    |   |
|--------------------|---|
| WATER INLET        | 1/2" quick release  |
| OPERATING PRESSURE | 1.2 BAR G - PRE SET (17 PSI)<br>(higher supply pressures accommodated with the incorporation of the optional pressure reducing valve) |
| TEST PRESSURE      | 10.3 BAR G (149 PSI)  |
| MINIMUM FLOW RATES | Shower: 76 litres/minute minimum (20 US Gallons). Eye/face wash: 12 litres/minute minimum (3 US Gallons)                              |

### ENVIRONMENTAL OPERATING TEMPERATURE

|                                       |                |
|---------------------------------------|----------------|
| MINIMUM AMBIENT OPERATING TEMPERATURE | 0° C (32° F)   |
| MAXIMUM AMBIENT OPERATING TEMPERATURE | 40° C (104° F) |

### ACTIVATION/OPERATION

|                             |                  |
|-----------------------------|------------------|
| SHOWER/BODY SPRAY OPERATION | Hand lever       |
| EYE/FACE WASH OPERATION     | Pull lid forward |

### WEIGHTS and DIMENSIONS

|                    |  |
|--------------------|--|
| DIMENSIONS (WxDxH) | Non-assembled: 835mm (32.9in) x 1220mm (48in) x 1450mm (57.1in)<br>Assembled: 835mm (32.9in) x 1421mm (56in) x 2400mm (94.5in) |
| WEIGHT             | 95kg (209lb)   |
| CAPACITY           | 114 litres (30 US Gallons)   |

View our Guide to the ANSI/ISEA Z358.1-2014 International Standard for Emergency Eyewash and Shower Equipment at [www.hughes-safety.com](http://www.hughes-safety.com)



# HUGHES

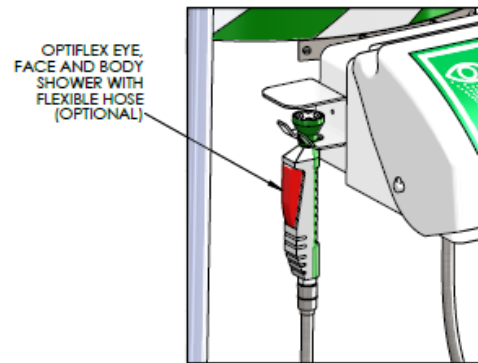
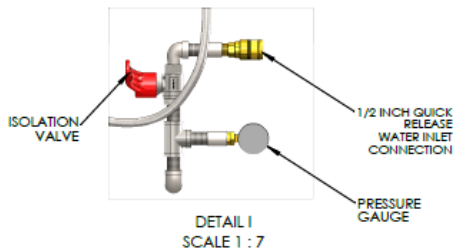
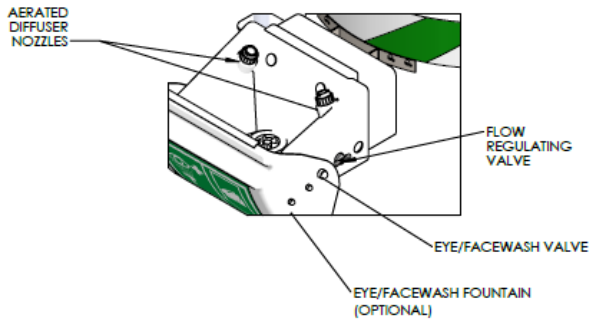
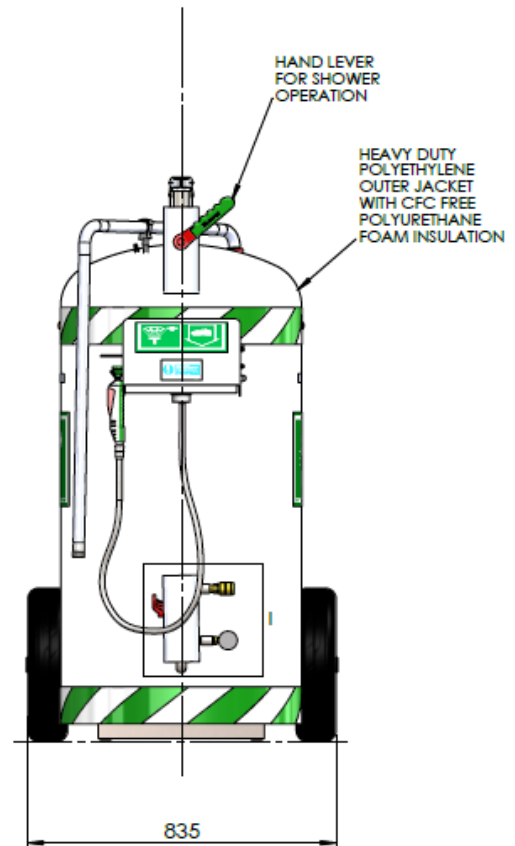
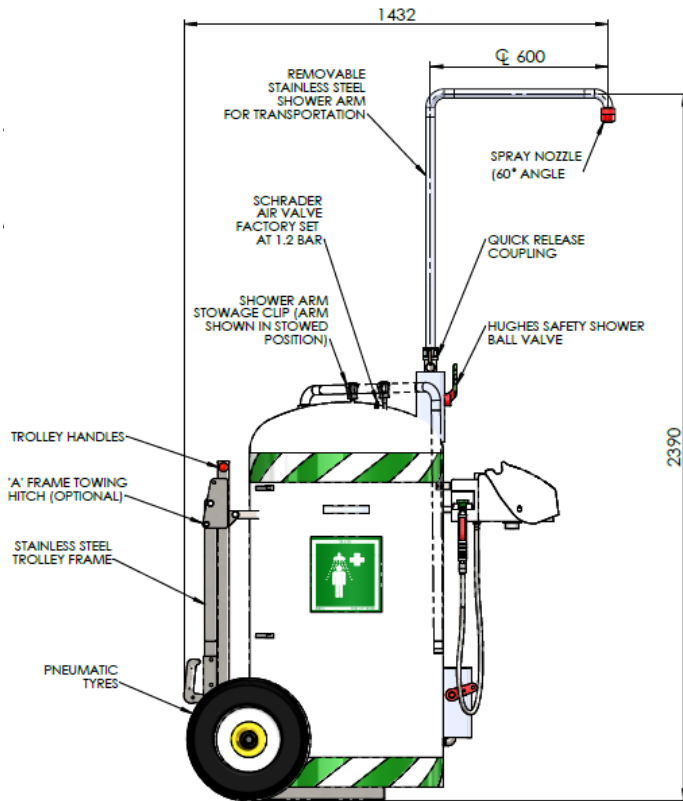


HUGHES-SAFETY.COM

[www.hughes-safety.com](http://www.hughes-safety.com)

**STD-J-40K/45G**

*Mobile Self-Contained Emergency Safety Shower*



**HUGHES**



**HUGHES-SAFETY.COM**

a Justrite® Group Company

Hughes Safety Showers Ltd, Whitefield Road, Bredbury, Stockport SK6 2SS UK.

Email: [info@hughes-safety.com](mailto:info@hughes-safety.com)

Tel: +44 (0)161 430 6618

Registered No. 0939240. VAT Registration No. 918 5005 32. Hughes Safety Showers Ltd is a Justrite Group Company.

V1.3