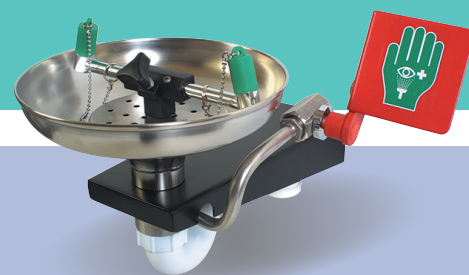


# Product Datasheet

## STD-85G

### Emergency Eye/Face Wash - *Plumbed in*



Open 316L stainless steel bowl, wall-mounted emergency eye/face wash featuring twin spray nozzles protected by dust covers. When activated via the push plate, the water jets lift off the dust covers. The eye wash diffusers are fitted with fine mesh strainers and individual flow controllers designed to give a gentle flow of aerated water.

## Specifications

MATERIALS OF CONSTRUCTION	
EYE/FACE WASH BOWL	316L stainless steel
SERVICES	
WATER INLET	1/2" Female BSP
DESIGN OPERATING PRESSURE	2.0 to 6 BAR G (29 to 87 PSI) (higher supply pressures accommodated with the incorporation of the optional pressure reducing valve)
TEST PRESSURE	10.3 BAR G (149 PSI)
MINIMUM FLOW RATES	Eye/Face Wash: 12 litres/minute minimum (3 US Gallons)
ENVIRONMENTAL OPERATING TEMPERATURE	
MINIMUM AMBIENT OPERATING TEMPERATURE	5° C (41° F)
MAXIMUM AMBIENT OPERATING TEMPERATURE	35° C (95° F)
ACTIVATION/OPERATION	
EYE/FACE WASH	Push plate operated (optional foot treadle control for hands free operation)
WEIGHTS and DIMENSIONS	
DIMENSIONS (WxDxH)	430mm (16.9in) x 400mm (15.7in) x 290mm (11.4in)
WEIGHT	4kg (9lb)

View our Guide to the ANSI/ISEA Z358.1-2014 International Standard for Emergency Eyewash and Shower Equipment at [www.hughes-safety.com](http://www.hughes-safety.com)



# HUGHES



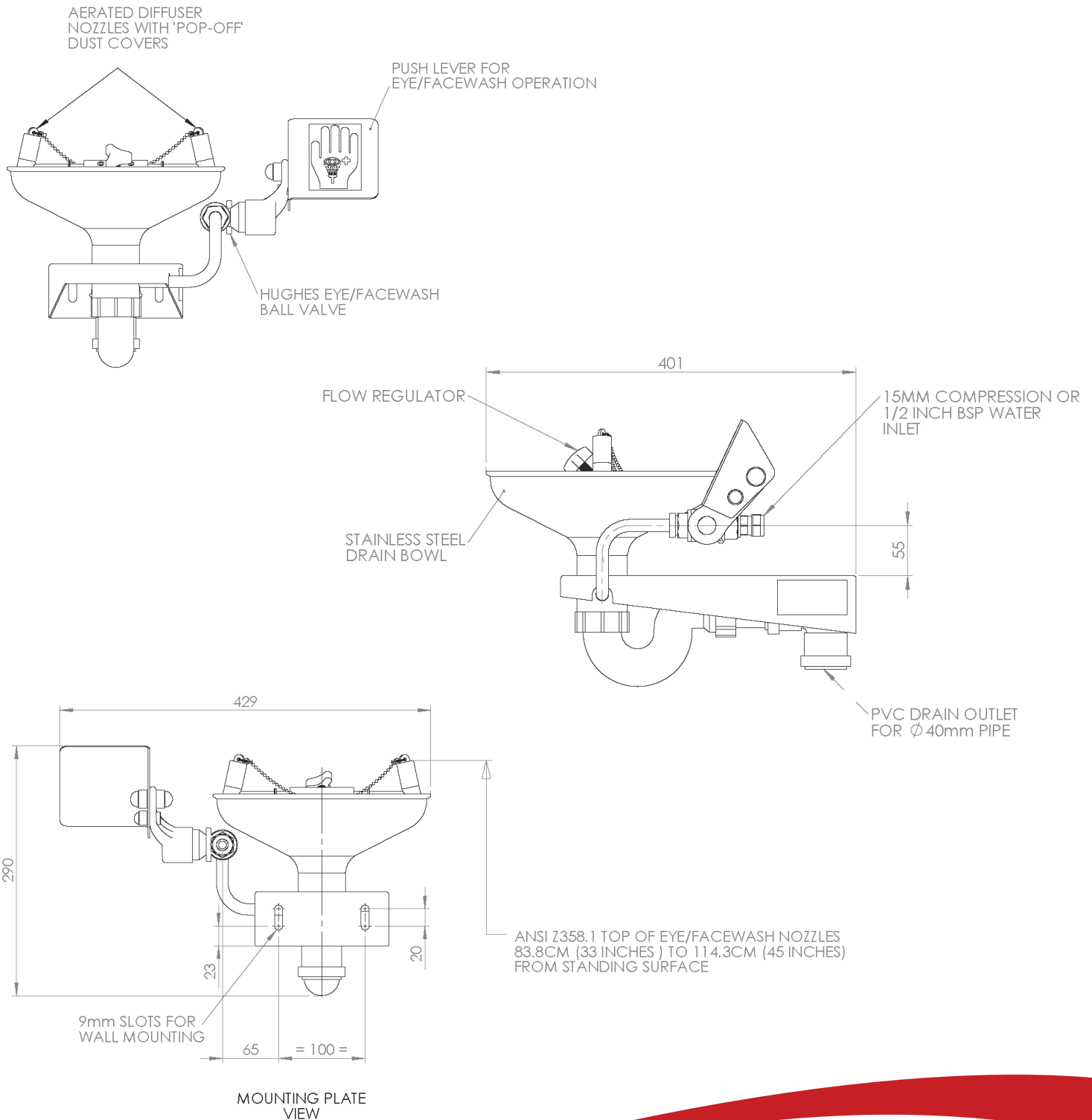
HUGHES-SAFETY.COM

Justrite Safety Group

[www.hughes-safety.com](http://www.hughes-safety.com)

**STD-85G**

Emergency Eye/Face Wash - Plumbed in



**HUGHES**



**HUGHES-SAFETY.COM**

Justrite Safety Group

Hughes Safety Showers Ltd, Whitefield Road, Bredbury, Stockport SK6 2SS UK.

Email: [sales@hughes-safety.com](mailto:sales@hughes-safety.com)

Tel: +44 (0)161 430 6618

Registered No. 0939240. VAT Registration No. 918 5005 32. Hughes Safety Showers Ltd is a Justrite Group Company.