

# Product Datasheet

## STD-68G

### Emergency Eye Wash - *Self-Contained*

Ideal where a continuous supply of water is not available, this 60 litre wall-mounted or table top unheated portable emergency eye/face wash station delivers a controlled flow of a minimum 3 litres per minute for 15 minutes. The wide fill opening enables quick inspection, cleaning and filling. The unit is provided with one bottle of water preservative. Optional heated cabinet available.



## Specifications

BODY	
MATERIAL	High Density Polyethylene
CAPACITY	60 litres (16 US gallons)
FLOW RATE	3 litres/minute (0.8gpm)
COLOUR	Green
MANIFOLD	
MATERIAL	High Density Polyethylene
COLOUR	Yellow
TUBING TO MANIFOLD	
MATERIAL	High Density Polyethylene
COLOUR	Clear
SIZE	9.5mm (0.37in)
SPRAY HEADS	
MATERIAL	Engineering Grade Thermoplastic
COLOUR	Clear
SHAPE	Round 12 hole
WEIGHTS and DIMENSIONS	
DIMENSIONS (WxDxH)	513mm (20.2in) x 540mm (21.3in) x 457mm (18in)
WEIGHT	68kg (151lbs) full, 8.2kg (18lbs) empty

# HUGHES



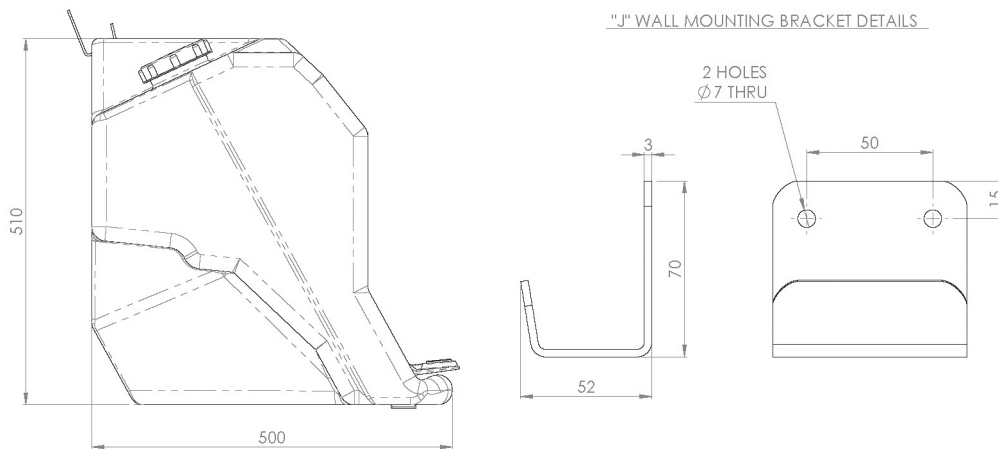
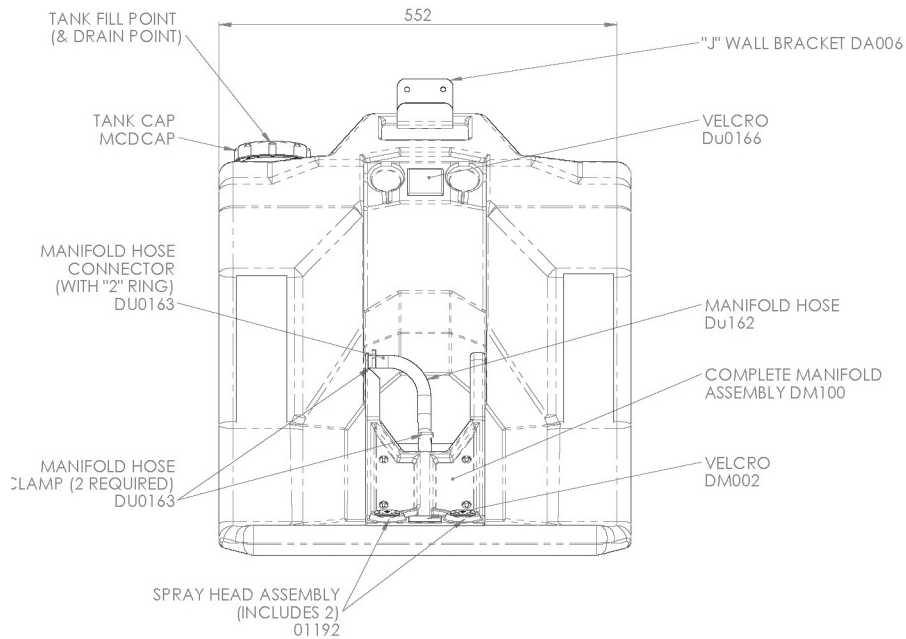
HUGHES-SAFETY.COM

Justrite Safety Group

[www.hughes-safety.com](http://www.hughes-safety.com)

**STD-68G**

Emergency Eye Wash - Self Contained



**HUGHES**



**HUGHES-SAFETY.COM**

Justrite Safety Group

Hughes Safety Showers Ltd, Whitefield Road, Bredbury, Stockport SK6 2SS UK.

Email: [sales@hughes-safety.com](mailto:sales@hughes-safety.com)

Tel: +44 (0)161 430 6618

Registered No. 0939240. VAT Registration No. 918 5005 32.