

Product Datasheet

STD-38G

Emergency Eye/Face/Body Wash - Self Contained

This portable 15 litre stainless steel cylinder with hand-held shower effectively washes eyes, face and body delivering up to three minutes of water when pressurised via a Schraeder valve. The pressure gauge and dual action safety valve prevent over pressurisation and allow the user to vent the cylinder for cleaning and maintenance.

Available with an optional wall cabinet or heated cabinet.



Specifications

BODY	
MATERIAL	Stainless steel cylinder
VOLUME	15 litres (4 US Gallons)
SERVICES	
OPERATING PRESSURE	6.9 BAR G (100 PSI)
BURST PRESSURE	69 BAR G (1000 PSI)
FLOW RATE	6 litres per minute (1.59 gpm)
ACTIVATION/OPERATION	
ACTIVATION	Hand operated lever
WEIGHTS and DIMENSIONS	
DIMENSIONS (WxDxH)	267mm (10.5in) x 242mm (9.5in) x 820mm (32.3in)
WEIGHT	20kg (44lb) full, 5kg (11lb) empty



Filling and pressurising the STD-38G is simple when you know how!
Visit www.hughes-safety.com to watch the short instruction video.

HUGHES



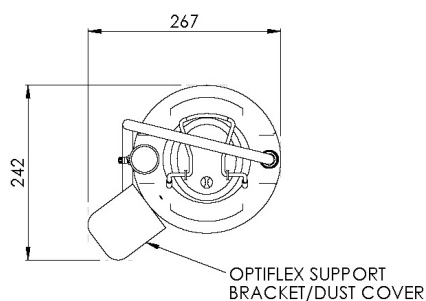
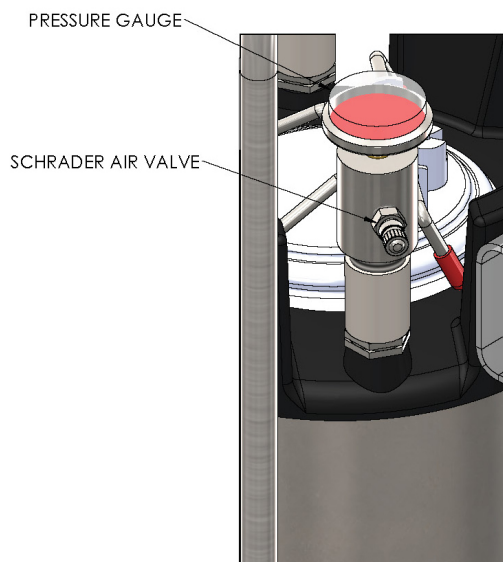
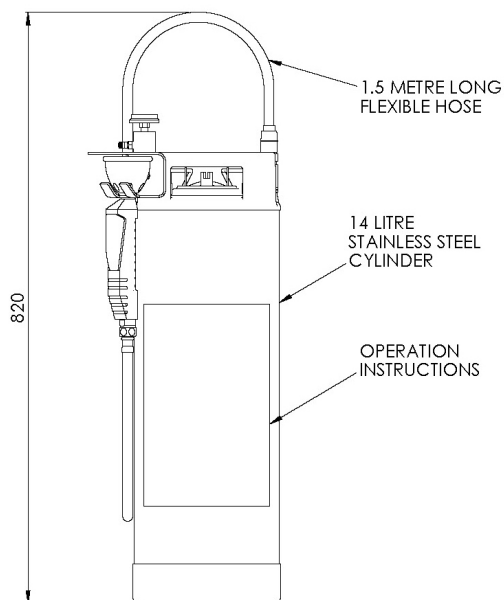
HUGHES-SAFETY.COM

Justrite Safety Group

www.hughes-safety.com

STD-38G

Emergency Eye/Face Wash - Self Contained



HUGHES



HUGHES-SAFETY.COM

Justrite Safety Group

Hughes Safety Showers Ltd, Whitefield Road, Bredbury, Stockport SK6 2SS UK.

Email: sales@hughes-safety.com

Tel: +44 (0)161 430 6618

Registered No. 0939240. VAT Registration No. 918 5005 32. Hughes Safety Showers Ltd is a Justrite Group Company.

V1.3