

Product Datasheet

EXP-SD-75G/P EXP-SD-75GS/P Emergency Eye/Face Wash - *Plumbed in*



Pedestal mounted self-draining emergency eye/face wash with open ABS bowl, suitable for hot climates. The design allows standing water to drain away from the standpipe to ensure the delivery of tepid water. Featuring twin spray nozzles protected by dust covers. When activated via the push plate, the water jets lift off the dust covers. The eye wash diffusers are fitted with fine mesh strainers and individual flow controllers designed to give a gentle flow of aerated water.

Available with either galvanised or stainless steel pipework.

Specifications

MATERIALS OF CONSTRUCTION	
PIPEWORK AND FITTINGS (G)	Galvanised mild steel with 150lb medium wall tubulars and fittings
PIPEWORK AND FITTINGS (GS)	Stainless steel with 150lb medium wall tubulars and fittings
EYE/FACE WASH BOWL/LID	ABS plastic
EYE/FACE WASH DIFFUSERS	Chrome plated brass with stainless steel mesh
STANDARD FINISH (Galvanised mild steel)	Green powder coated (alternative colours available)
STANDARD FINISH (Stainless steel)	Polished brush finish (paint options available)
SERVICES	
WATER INLET	1 ¹ / ₄ " Female BSP
DESIGN OPERATING PRESSURE	2.0 to 6 BAR G (29 to 87 PSI) (higher supply pressures accommodated with the incorporation of the optional pressure reducing valve)
MINIMUM FLOW RATES	12 litres/minute minimum (3 US Gallons)
ENVIRONMENTAL OPERATING TEMPERATURE	
MINIMUM AMBIENT OPERATING TEMPERATURE	5° C (41° F)
MAXIMUM AMBIENT OPERATING TEMPERATURE	35° C (95° F)
ACTIVATION/OPERATION	
EYE/FACE WASH OPERATION	Push down lever (optional foot treadle control for hands free operation)
WEIGHTS and DIMENSIONS	
DIMENSIONS (WxDxH)	400mm (15.7in) x 505mm (19.9in) x 1273mm (50.1in)
WEIGHT	10kg (22lb)

View our Guide to the ANSI/ISEA Z358.1-2014 International Standard for Emergency Eyewash and Shower Equipment at www.hughes-safety.com

HUGHES



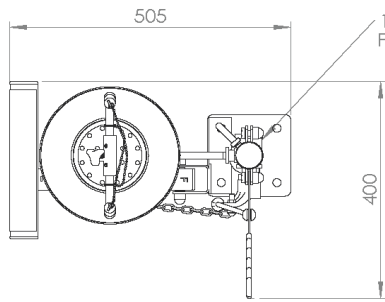
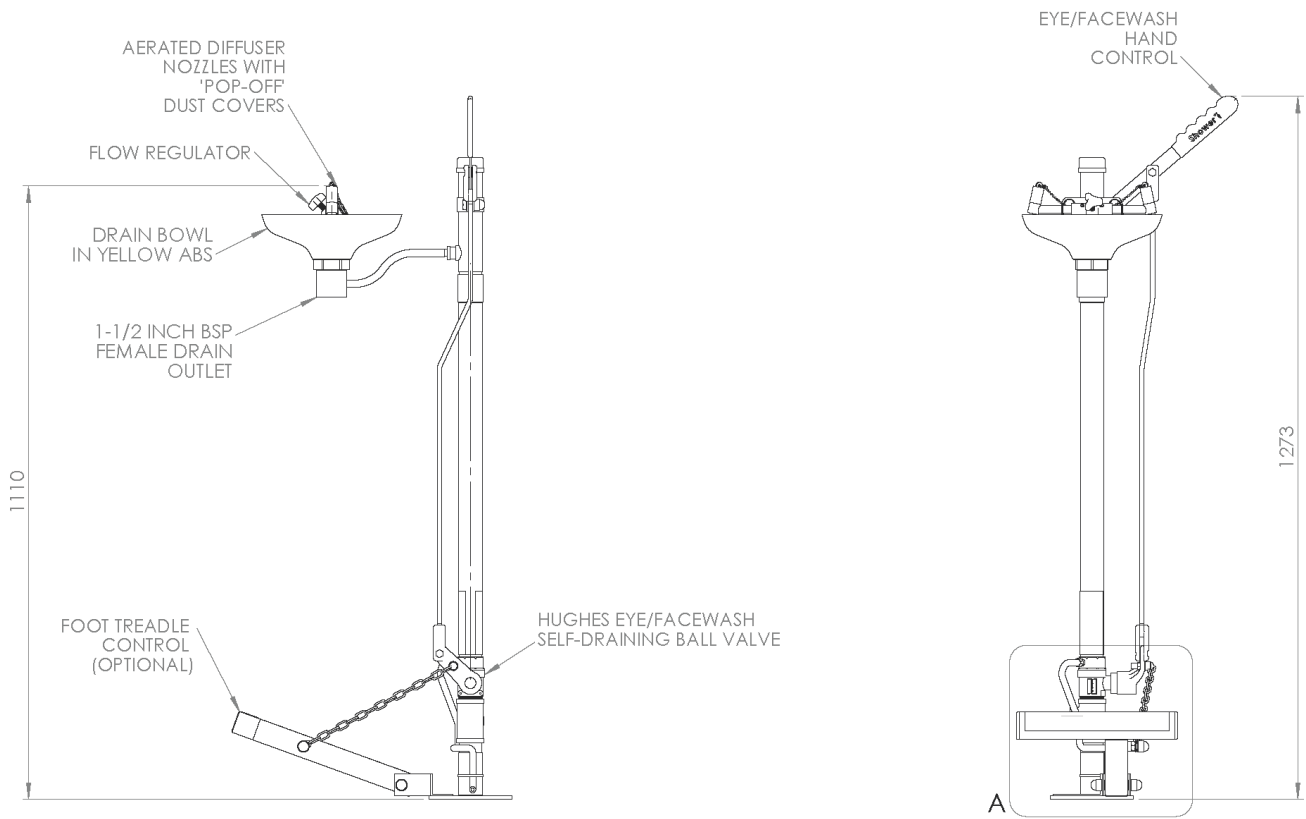
HUGHES-SAFETY.COM

Justrite Safety Group

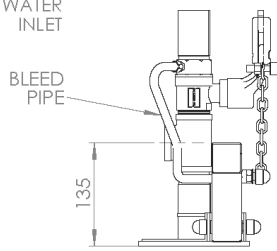
www.hughes-safety.com

EXP-SD-75G/P
EXP-SD-75GS/P

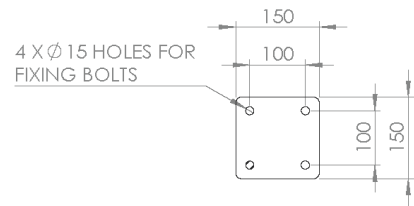
Emergency Eye/Face Wash - Plumbed in



PLAN VIEW



DETAIL A
 CUT BACK FOR CLARITY



FIXING DETAIL

HUGHES



HUGHES-SAFETY.COM

Justrite Safety Group

Hughes Safety Showers Ltd, Whitefield Road, Bredbury, Stockport SK6 2SS UK.

Email: sales@hughes-safety.com

Tel: +44 (0)161 430 6618

Registered No. 0939240. VAT Registration No. 918 5005 32. Hughes Safety Showers Ltd is a Justrite Group Company.

V1.0