

Product Datasheet

EXP-MH-14K/350 EXP-MH-14KS/350 Emergency Tank Shower

Freeze protected emergency tank shower for use in hazardous and non-hazardous environments. An integral immersion heater, controlled by a dual safety thermostat, maintains the water in the tank at a constant temperature. Available with either galvanised mild steel or stainless steel frame.



Specifications

TECHNICAL DATA	
INLET CONNECTION SIZE & TYPE	3/4" BSP Female
SHOWER OPERATION	Panic bar (optional foot panel control)
EYE/FACE WASH OPERATION	Lift lid (optional foot treadle control)
SUPPLY PRESSURE	0.5 bar (7.25 PSI) minimum - 10 bar (145 PSI) maximum
FLOW AT OPERATING PRESSURE	Shower - 76 litres/minute (20 US gallons), Eye/Face wash - 12 litres/minute (3 US gallons)
ELECTRICAL EQUIPMENT - Non-hazardous	Suitable for use in areas classified as non-hazardous
ELECTRICAL EQUIPMENT - Hazardous	ATEX Zone 1 & 2. Gas groups IIA & IIB. Temp Class T3 (IIC available)
ELECTRICAL SUPPLY	230V, single phase, 50Hz (110V optional)
IMMERSION HEATER RATING	1kW - 230V
MATERIALS OF CONSTRUCTION	
SHOWER ROSE	GRP stainless steel
PIPING & VALVE MATERIALS	uPVC and stainless steel valve
CONTROL VALVE - SHOWER	uPVC 1 1/2" Male BSP ball valve
CONTROL VALVE - EYE/FACE WASH	1/2" stainless steel full flow ball valve with stainless steel ball
EYE/FACE WASH STRAINER	1/2" stainless steel
OVERFLOW	1" Male BSP uPVC
BALLCOCK VALVE	2 x 1/2" BSP brass
WATER TANK	350 litre (92 US Gallons) capacity heavy density polyethylene HDPE
TANK SURROUND AND LID	Heavy-duty GRP in white (green or yellow available)
SHOWER FRAME AND LEGS (K)	Galvanised steel
SHOWER FRAME AND LEGS (KS)	Stainless steel. Polished brush finish (paint options available)
INSULATION	40mm (1 1/2") thick foil backed polyurethane
PULL RODS FOR VALVE ACTIVATION	Stainless steel
FOOT CONTROL OPTIONS	Panel foot control - GRP/Treadle foot control - powder coated stainless steel
ALL FASTENERS AND FIXINGS	Stainless steel
ENVIRONMENTAL OPERATING TEMPERATURE	
MINIMUM AMBIENT OPERATING TEMPERATURE	-35° C (-31° F)
MAXIMUM AMBIENT OPERATING TEMPERATURE	40° C (104° F) (+55° C (131° F) with cooling unit fitted)
WEIGHTS AND DIMENSIONS	
DIMENSIONS (WxDxH)	1540mm (60.6in) x 880mm (34.6in) x 3255mm (128.1in)
350 LITRE - no options	150kg (331lbs)

View our Guide to the ANSI/ISEA Z358.1-2014 International Standard for Emergency Eyewash and Shower Equipment at www.hughes-safety.com



HUGHES



HUGHES-SAFETY.COM

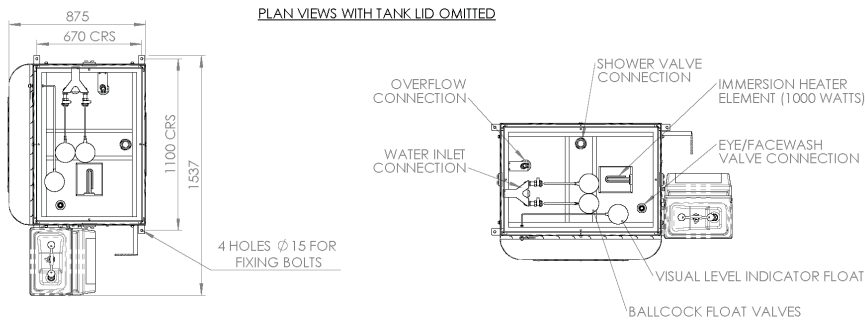
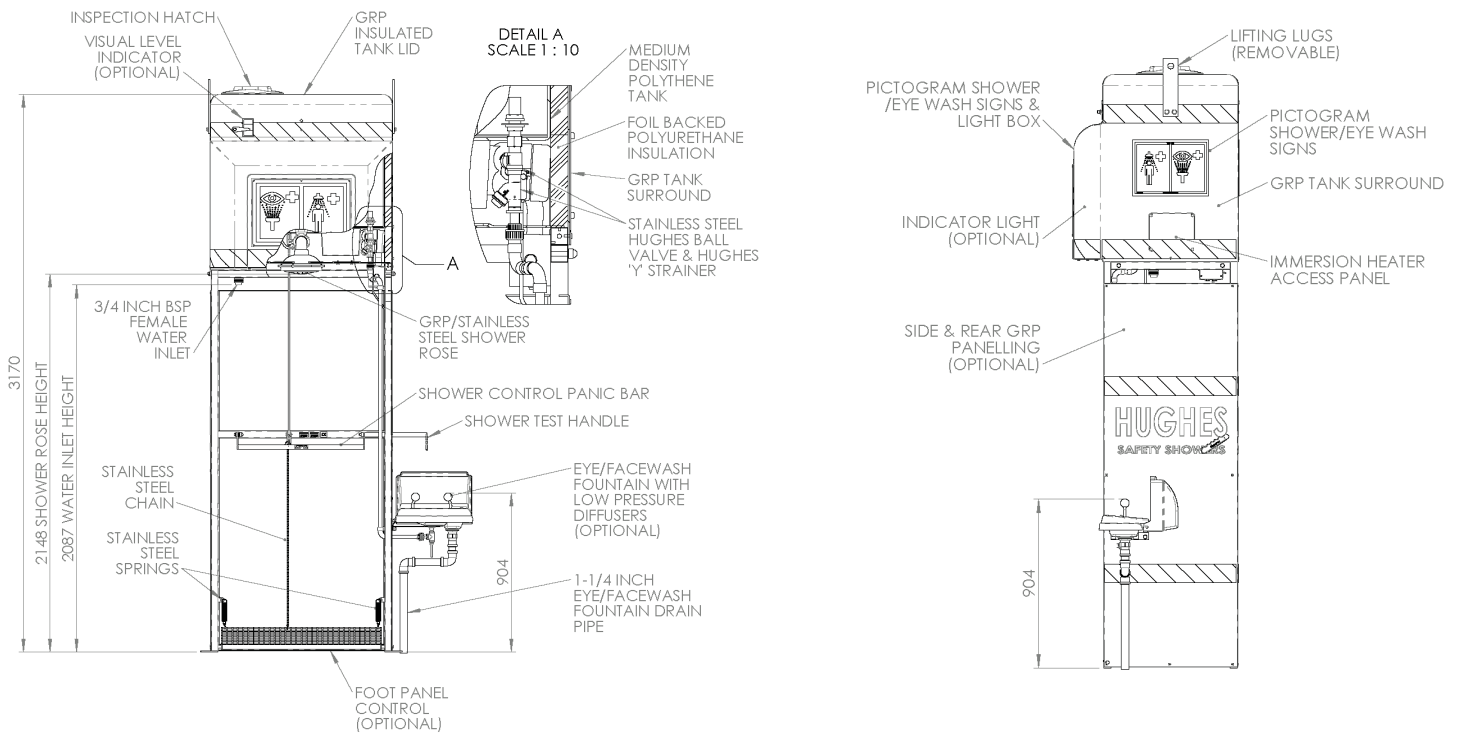
Justrite Safety Group

www.hughes-safety.com

EXP-MH-14K/350
EXP-MH-14KS/350
 Emergency Tank Shower

OPTIONAL FITTINGS - WEIGHTS

GRP PANELLING TO 3 SIDES	TEMPERATURE INDICATOR 4" DIAL
SUN SHIELDS - SET	IMMERSION HEATER - FLP
SUMP FRAME & FOOT GRATING	IMMERSION HEATER - NON FLP
SHOWER PANEL FOOT CONTROL	CHILLER UNIT - FLP
EYE WASH TREADLE FOOT CONTROL	CHILLER UNIT - NON FLP
EYE/FACE WASH	LIGHT - FLP
POINTER LEVEL INDICATOR	LIGHT - NON FLP



HUGHES



HUGHES-SAFETY.COM

Justrite Safety Group

Hughes Safety Showers Ltd, Whitefield Road, Bredbury, Stockport SK6 2SS UK.

Email: sales@hughes-safety.com

Tel: +44 (0)161 430 6618

Registered No. 0939240. VAT Registration No. 918 5005 32. Hughes Safety Showers Ltd is a Justrite Group Company.

V1.6