

Product Datasheet



EXP-AH-5GS/45G Outdoor Emergency Safety Shower

Floor mounted trace tape heated emergency safety shower with eye/face wash unit. Eye/face wash orientation can be varied to suit clients' requirements. Ideal for use in outdoor applications subject to the possibility of freezing.



Specifications

MATERIALS OF CONSTRUCTION

| | |
|---------------------------|--|
| PIPEWORK AND FITTINGS | 316L stainless steel with 150lb medium wall tubulars and fittings |
| OPERATING VALVES | 316L stainless steel, two piece stay open valve |
| SHOWER SPRAY OUTLET | Machine moulded nylon 6 red shower nozzle |
| INSULATION & OUTER CASING | Polyurethane foam insulation with a medium density Polyethylene impact resistant outer casing |

SERVICES

| | |
|--------------------------------------|--|
| WATER INLET | 1 1/4" Male BSP |
| DESIGN OPERATING PRESSURE | 2 to 6 BAR G (29 to 87 PSI) - higher supply pressures accommodated with the incorporation of the optional pressure reducing valve) |
| HEATING TYPE | Trace tape heated and pre-insulated |
| HEATING LOAD | 57 Watts |
| ELECTRICAL EQUIPMENT - Non-hazardous | Suitable for use in areas classified as non-hazardous |
| ELECTRICAL EQUIPMENT - Hazardous | ATEX zones 1 and 2. Gas group IIC, temp class T5/T6. Dust group III C and temp class T85/100 |
| ELECTRICAL SUPPLY | 240V Single Phase, 50/60Hz or 110V available |
| MINIMUM FLOW AT OPERATING PRESSURE | Shower: 76 litres/minute minimum (20 US gallons), Eye/face wash: 12 litres/minute minimum (3 US gallons) |

ENVIRONMENTAL OPERATING TEMPERATURE

| | |
|---------------------------------------|------------------|
| MINIMUM AMBIENT OPERATING TEMPERATURE | -20° C (-4° F) |
| MAXIMUM AMBIENT OPERATING TEMPERATURE | 38° C (100.4° F) |

OPERATIONAL

| | |
|-----------------------------|--|
| SHOWER SPRAY OPERATION | Pull handle |
| EYEBATH/HAND HELD OPERATION | Pull handle (optional foot treadle for hands free operation) |

WEIGHTS and DIMENSIONS

| | |
|---|---|
| DIMENSIONS - STANDARD ORIENTATION (WxDxH) | 320mm (12.6in) x 890mm (35in) x 2330mm (91.7in) |
| WEIGHT (NO OPTIONS) | 25kg (55lbs) |

View our Guide to the ANSI/ISEA Z358.1-2014 International Standard for Emergency Eyewash and Shower Equipment at www.hughes-safety.com



HUGHES



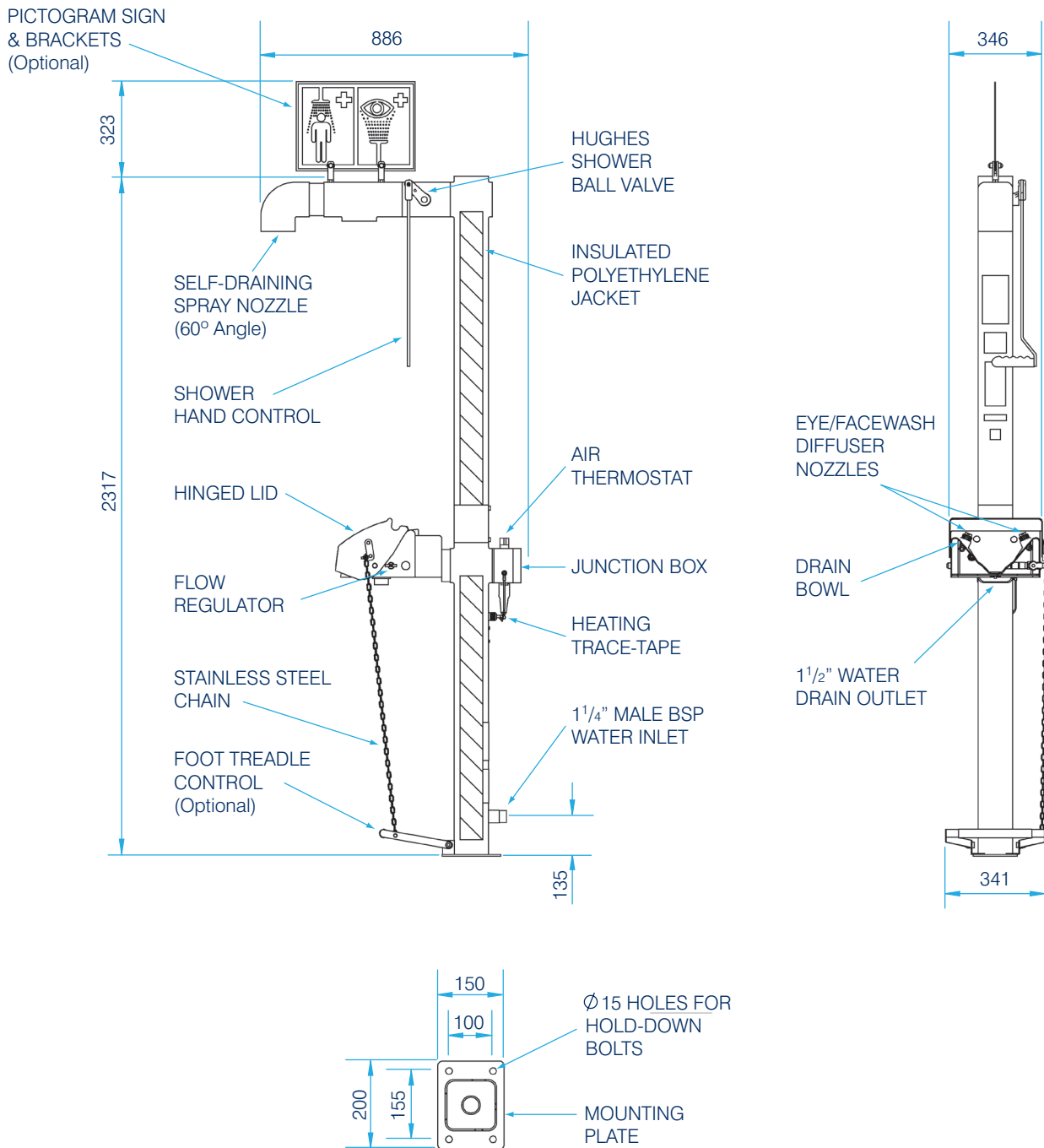
HUGHES-SAFETY.COM

Justrite Safety Group

www.hughes-safety.com

EXP-AH-5GS/45G

Outdoor Emergency Safety Shower



HUGHES



HUGHES-SAFETY.COM

Justrite Safety Group

Hughes Safety Showers Ltd, Whitefield Road, Bredbury, Stockport SK6 2SS UK.

Email: sales@hughes-safety.com

Tel: +44 (0)161 430 6618

Registered No. 0939240. VAT Registration No. 918 5005 32. Hughes Safety Showers Ltd is a Justrite Group Company.

V1.1