

Product Datasheet

EXP-AH-5G/45G EXP-AH-5GS/45G Outdoor Emergency Safety Shower

Floor mounted trace tape heated emergency safety shower with eye/face wash unit. Eye/face wash orientation can be varied to suit clients' requirements. Ideal for use in outdoor applications subject to the possibility of freezing. Available with either galvanised mild steel or stainless steel pipework.

Specifications

MATERIALS OF CONSTRUCTION

PIPEWORK AND FITTINGS (G)	Galvanised mild steel with 150lb medium wall tubulars and fittings
PIPEWORK AND FITTINGS (GS)	316L stainless steel with 150lb medium wall tubulars and fittings
OPERATING VALVES	316L stainless steel, two piece stay open valve
SHOWER SPRAY OUTLET	Machine moulded nylon 6 red shower nozzle
INSULATION & OUTER CASING	Polyurethane foam insulation with a medium density polyethylene impact resistant outer casing

SERVICES

WATER INLET	1 ¹ / ₄ " Male BSP
DESIGN OPERATING PRESSURE	2 to 6 BAR G (29 to 87 PSI) - higher supply pressures accommodated with the incorporation of the optional pressure reducing valve)
HEATING TYPE	Trace tape heated and pre-insulated
HEATING LOAD	57 Watts
ELECTRICAL EQUIPMENT - Non-hazardous	Suitable for use in areas classified as non-hazardous
ELECTRICAL EQUIPMENT - Hazardous	ATEX Zone 1 & 2 Gas Groups IIA and IIB, Temp Class T3 (IIC available)
ELECTRICAL SUPPLY	240V Single Phase, 50/60Hz or 110V available
TEST PRESSURE	10.3 BAR G (149 PSI)
MINIMUM FLOW AT OPERATING PRESSURE	Shower: 76 litres/minute minimum (20 US gallons), Eye/face wash: 12 litres/minute minimum (3 US gallons)

ENVIRONMENTAL OPERATING TEMPERATURE

MINIMUM AMBIENT OPERATING TEMPERATURE	-20° C (-4° F)
MAXIMUM AMBIENT OPERATING TEMPERATURE	35° C (95° F)

OPERATIONAL

SHOWER SPRAY OPERATION	Pull handle
EYEBATH/HAND HELD OPERATION	Pull handle (optional foot treadle for hands free operation)

WEIGHTS and DIMENSIONS

DIMENSIONS - STANDARD ORIENTATION (WxDxH)	320mm (12.6in) x 890mm (35in) x 2330mm (91.7in)
WEIGHT (NO OPTIONS)	25kg (55lbs)

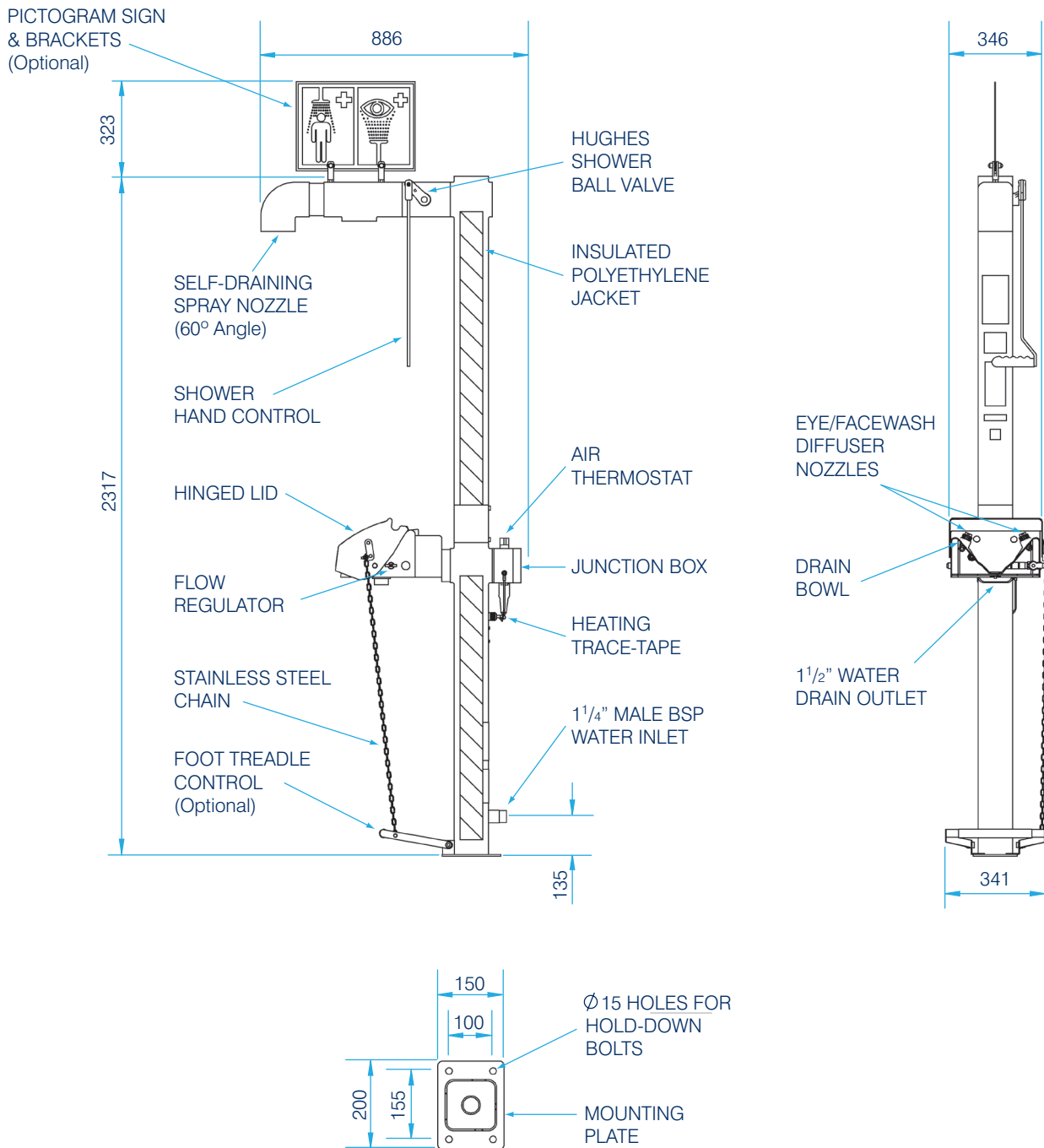


View our Guide to the ANSI/ISEA Z358.1-2014 International Standard for Emergency Eyewash and Shower Equipment at www.hughes-safety.com



EXP-AH-5G/45G
EXP-AH-5GS/45G

Outdoor Emergency Safety Shower



HUGHES



HUGHES-SAFETY.COM

a Justrite® Group Company

Hughes Safety Showers Ltd, Whitefield Road, Bredbury, Stockport SK6 2SS UK.

Email: info@hughes-safety.com

Tel: +44 (0)161 430 6618

Registered No. 0939240. VAT Registration No. 918 5005 32. Hughes Safety Showers Ltd is a Justrite Group Company.

V1.3