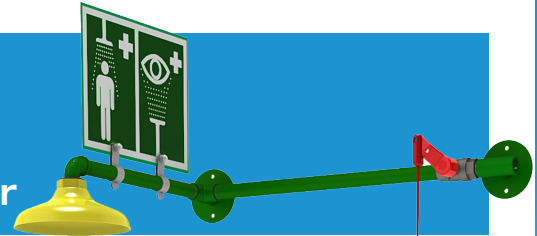
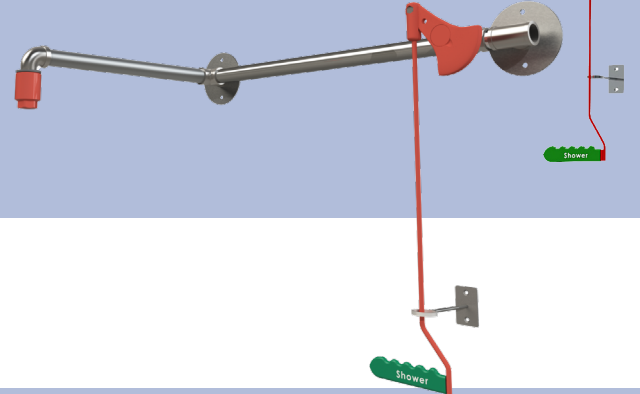


# Product Datasheet

## EXP-23G/OD EXP-23GS/OD Indoor Unheated Emergency Safety Shower



Over-door mounted unheated emergency safety shower, ideal for use where space is at a premium. This general purpose shower is suitable for use in all applications not subject to the possibility of freezing or overheating. Available with either galvanised mild steel or 316L stainless steel pipework.



## Specifications

### MATERIALS OF CONSTRUCTION

PIPEWORK AND FITTINGS (G)	Galvanised mild steel with 150lb medium wall tubulars and fittings
PIPEWORK AND FITTINGS (GS)	316L stainless steel with 150lb medium wall tubulars and fittings
OPERATING VALVES	316L stainless steel, two piece stay open valve
SHOWER SPRAY OUTLET	Machine moulded nylon 6 red shower nozzle
STANDARD FINISH (Galvanised mild steel)	Green powder coated (alternative colours available)
STANDARD FINISH (Stainless steel)	Polished brush finish (paint options available)

### SERVICES

WATER INLET	1" Male BSP
DESIGN OPERATING PRESSURE	2 to 6 BAR G (29 to 87 PSI) (higher supply pressures accommodated with the incorporation of the optional pressure reducing valve)
TEST PRESSURE	10.3 BAR G (149 PSI)
MINIMUM FLOW AT OPERATING PRESSURE	Shower: 76 litres/minute minimum (20 US Gallons)

### ENVIRONMENTAL OPERATING TEMPERATURE

MINIMUM AMBIENT OPERATING TEMPERATURE	5° C (41° F)
MAXIMUM AMBIENT OPERATING TEMPERATURE	35° C (95° F)

### OPERATIONAL

SHOWER OPERATION	Pull handle (optional foot panel for hands free operation)
------------------	--

### WEIGHTS and DIMENSIONS

DIMENSIONS - STANDARD ORIENTATION (WxDxH)	206mm (8.1in) x 918mm (36.1in) x 645mm (25.4in)
WEIGHT (NO OPTIONS)	3kg (7lb)

View our Guide to the ANSI/ISEA Z358.1-2014 International Standard for Emergency Eyewash and Shower Equipment at [www.hughes-safety.com](http://www.hughes-safety.com)



# HUGHES



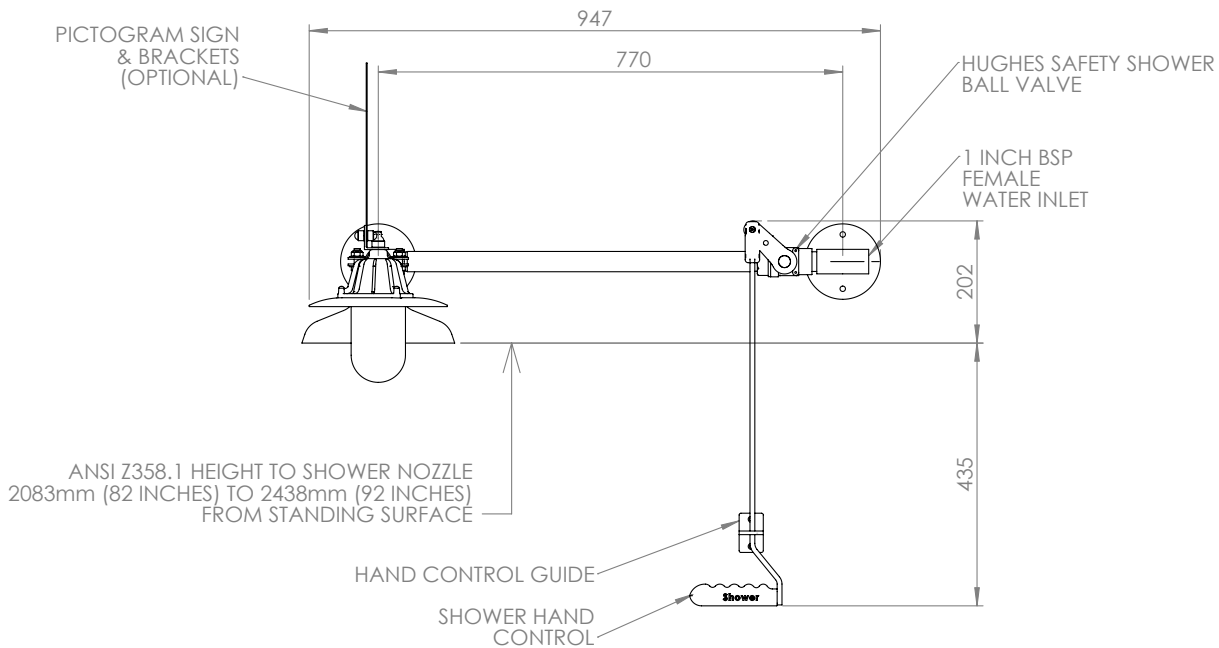
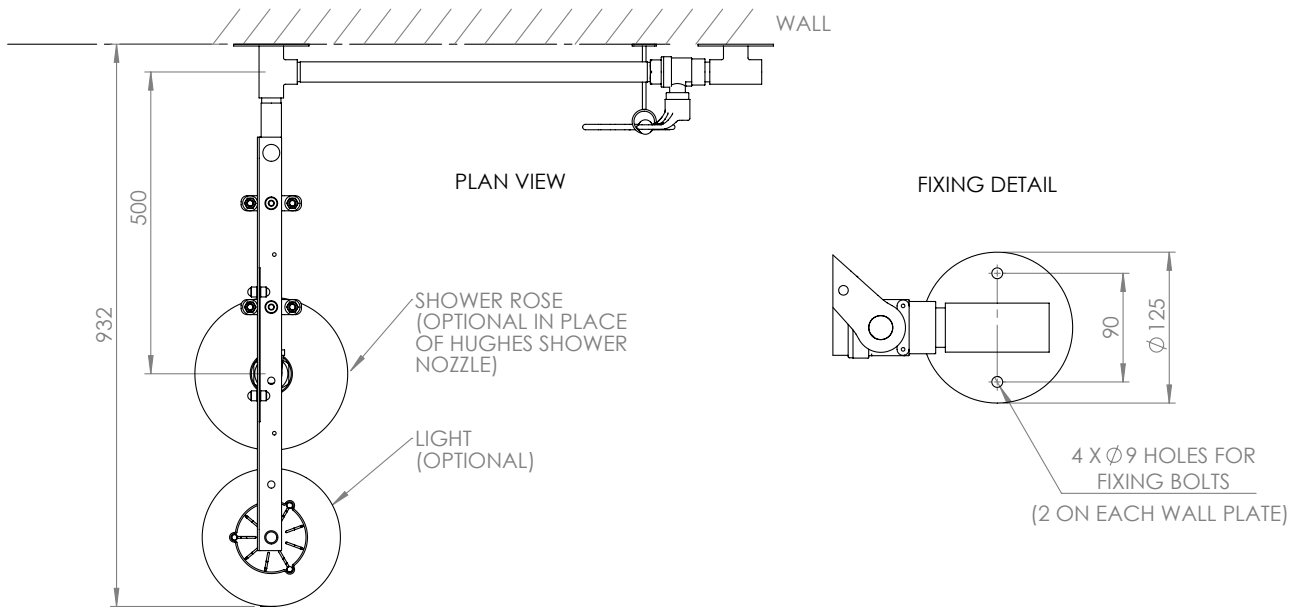
HUGHES-SAFETY.COM

Justrite Safety Group

[www.hughes-safety.com](http://www.hughes-safety.com)

**EXP-23G/OD**  
**EXP-23GS/OD**

Indoor Unheated Emergency Safety Shower



**HUGHES**



**HUGHES-SAFETY.COM**

Justrite Safety Group

Hughes Safety Showers Ltd, Whitefield Road, Bredbury, Stockport SK6 2SS UK.

Email: [info@hughes-safety.com](mailto:info@hughes-safety.com)

Tel: +44 (0)161 430 6618

Registered No. 0939240. VAT Registration No. 918 5005 32. Hughes Safety Showers Ltd is a Justrite Group Company.

V1.1